

FEATURES

- Operating Frequency Covers 1-18GHz
- Low Insertion Loss
- High Stability
- High Cost&Performance Ratio
- Operating Temperature range:-55~+85°C

APPLICATIONS

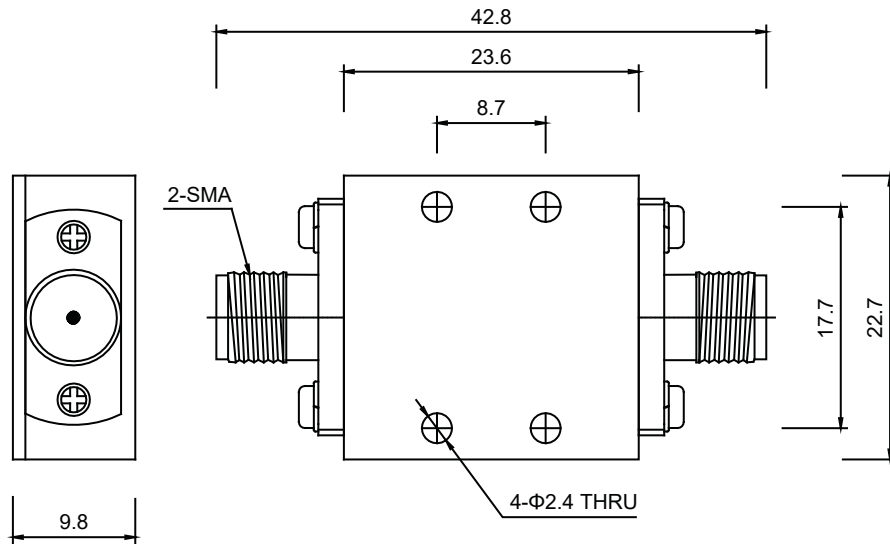
- Communication System
- Test Equipment
- Radar&Warfars System



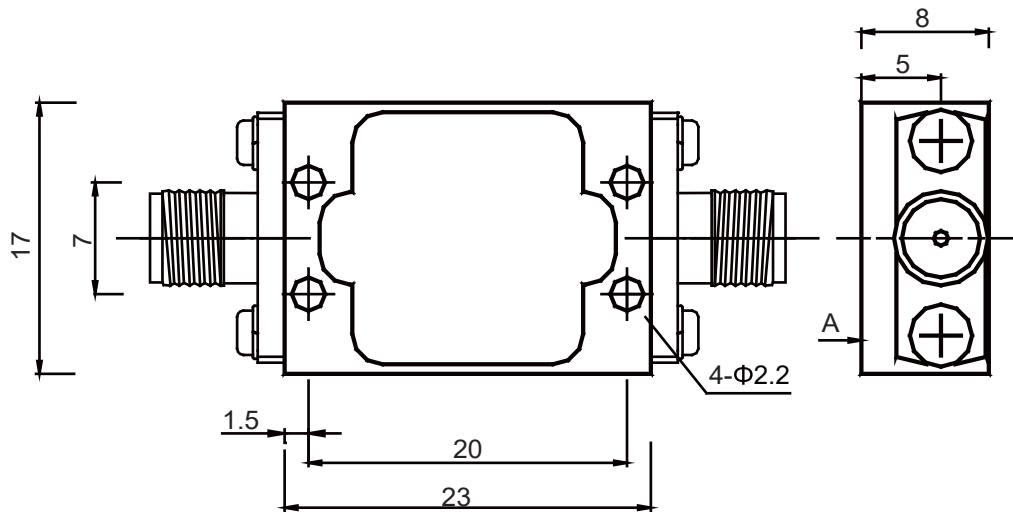
SPECIFICATIONS@25°C:

Part Number	Frequency Range (GHz)	Equalizing Quantity (dB.Type)	Insertion Loss (dB.Max)	VSWR (Max)	Case Type
MME010020E03	1-2	3	1.5	1.5:1	ME1
MME010030E03	1-3	3	0.5	1.5:1	ME1
MME010030E06	1-3	6	2	1.5:1	ME1
MME010040E03	1-4	3	0.5	1.5:1	ME1
MME010040E06	1-4	6	1	1.5:1	ME1
MME010040E10	1-4	10	4	1.5:1	ME1
MME010060E03	1-6	3	0.5	1.5:1	ME1
MME010060E06	1-6	6	1	1.5:1	ME1
MME010060E10	1-6	10	2	1.5:1	ME1
MME010090E03	1-9	3	0.5	1.5:1	ME1
MME010090E06	1-9	6	1	1.5:1	ME1
MME010090E10	1-9	10	2	1.5:1	ME1
MME010090E15	1-9	15	3	1.5:1	ME1
MME020040E03	2-4	3	1.5	1.6:1	ME2
MME020040E06	2-4	6	2	1.6:1	ME2
MME020060E03	2-6	3	1	1.5:1	ME1
MME020060E06	2-6	6	2.5	1.5:1	ME1
MME020080E03	2-8	3	1	2:1	ME1
MME020080E06	2-8	6	2	2:1	ME1
MME020080E10	2-8	10	5	2:1	ME1
MME020180E03	2-18	3	1.5	2:1	ME2
MME020180E05	2-18	5	1.6	1.8:1	ME2
MME180020E06	2-18	6	1.5	2:1	ME1
MME020180E06	2-18	/	2	/	ME2

Part Number	Frequency Range (GHz)	Equalizing Quantity (dB.Type)	Insertion Loss (dB.Max)	VSWR (Max)	Case Type
MME020180E07	2-18	7	3	1.8:1	ME2
MME020180E09	2-18	/	2	/	ME2
MME020180E10	2-18	10	3	2:1	ME2
MME020180E12	2-18	12	5	2:1	ME2
MME020180E15	2-18	15	4	2:1	ME1
MME025065E03	2.5-6.8	3	1.5±0.5	/	ME2
MME030060E03	3-6	3	1.5	1.5:1	ME1
MME040080E03	4-8	3	1.5	1.6:1	ME2
MME040080E06	4-8	6	2	1.6:1	ME2
MME040080E08	4-8	8	3	1.6:1	ME2
MME040120E03	4-12	3	2	2:1	ME1
MME040120E06	4-12	6	3	2:1	ME1
MME040180E03	4-18	3	2	2:1	ME1
MME040180E06	4-18	6	2	2:1	ME1
MME040180E10	4-18	10	6	2:1	ME1
MME060180E03	6-18	3	2	2:1	ME1
MME060180E06	6-18	6	3	2:1	ME1
MME060180E07	6-18	7	3	/	ME1
MME068180E07	6.8-18	7	8.5±0.5	/	ME1
MME080160E03	8-16	3	1.5±0.5	2:1	ME1
MME080180E04	8-18	4	1.5	1.8:1	ME2
MME080180E08	8-18	8	2	1.8:1	ME2
MME080180E12	8-18	12	3	1.8:1	ME2



ME1



ME2